

# VOLANO TERMICO CALDO-FREDDO R/C GB VT

VERTICAL INERTIAL HOT/COLD WATER TANK BOX



PRESSURE	TEMPERATURE
Pmax	Tmax
6 bar	-10 / +90 °C

## TECHNICAL DESCRIPTIONS

These buffer are with hard box insulation and an external lining with a galvanized and painted plate, raw inside. They are suited for installation that works with cold water during Summer and hot water during Winter. They also allow to limit the number of switch on/off of the generator (either heat pump, chilled system or standard burner) increasing the thermic inertia of the system and to have more fixed temperatures.

## MATERIAL

Made in mild steel outside painted. There is no need of any anti-corrosion treatment due to the fact that the buffer is in a closed circuit without any adding air.

## APPLICATION

Storage of chilled or hot water for inverter installations.

## EXTERNAL COVER

Galvanized and painted metallic cover from 100 to 2000 litres  
PVC plastic color grey from 3000 to 5000 litres

## CORROSION PROOF TREATMENT

Not needed as the tank as to be connected to a closed system, without any further air admission.

## INSULATION

Polyurethan Hard foam (lambda 0.023 W/mK), without CFC. Minimal thickness 30mm.

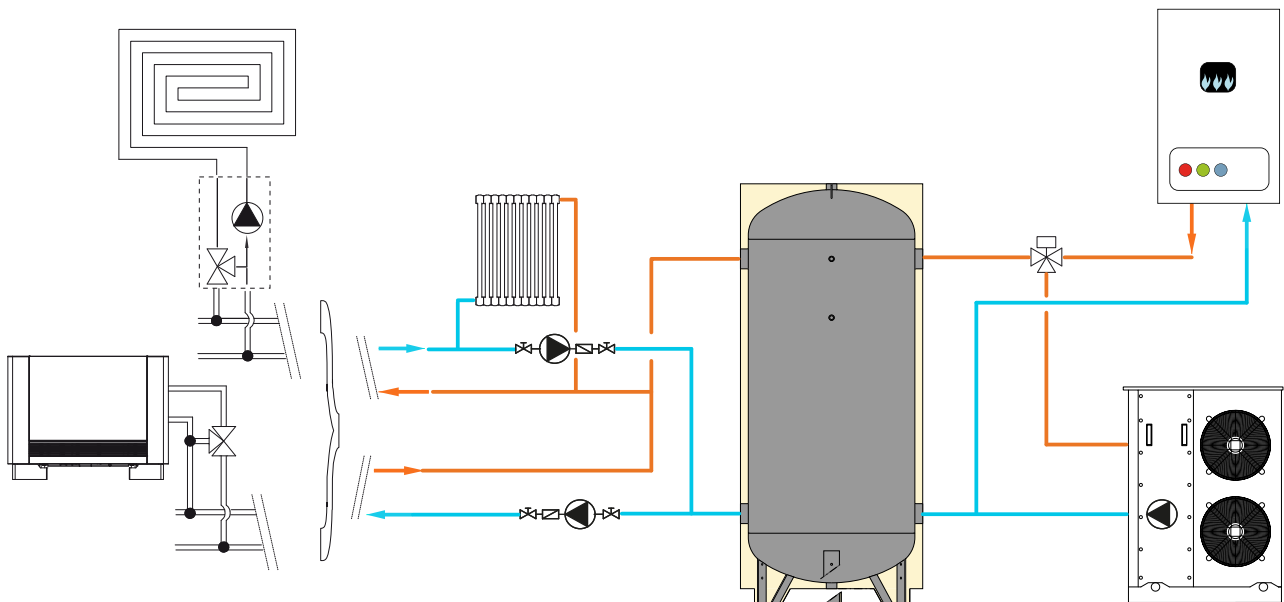
## WARRANTY

2 years - See general sales conditions and warranty.

 **PROMPT DELIVERY**  
1-5 days to dispatch  
(delivery time excluded)

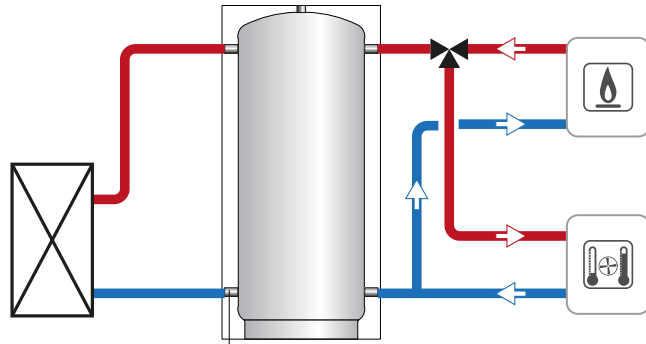
Model	ACQ. R/C. GB VT (HARD BOX INSULATION)
	Art. Nr.
100	3001162310501
200	3001162310502
300	3001162310503
500	3001162310504
800	3001162310505
1000	3001162310506
1500	3001162310507
2000	3001162310508

**SUITABLE FOR OUTSIDE INSTALLATION**

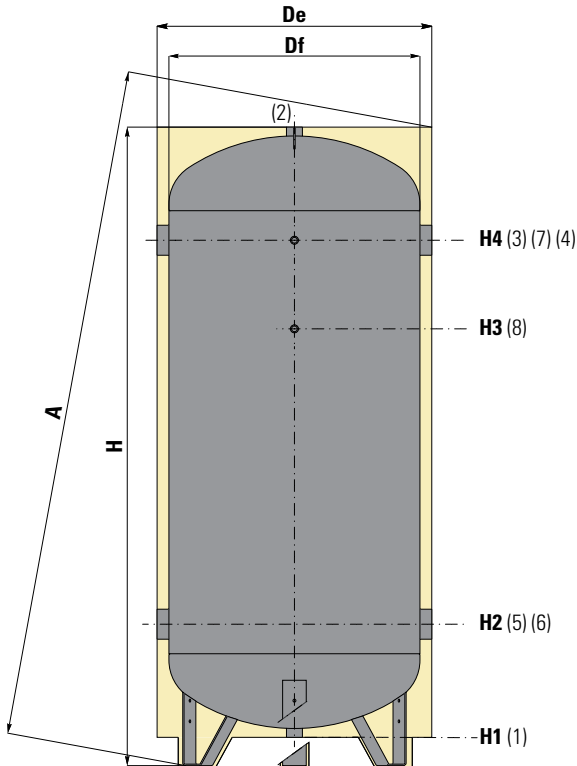


# VOLANO TERMICO CALDO-FREDDO R/C GB VT

VERTICAL INERTIAL HOT/COLD WATER TANK BOX



Suitable for outdoor installation



1	Drain
2	Safety Valve
3-4-5-6	To the System
7-8	Instrumentation 1/2" Gas F

INERTIAL  
TANKS

P.E.D. product planned and produced in conformity to the article 3.3 of directive 92/23/CE

Model	Weight [Kg]	Net Volume [liters]	Df	De	H	A	H1	H2	H3	H4	Connections Gas F		
											1 2	5 - 6 - 3 - 4	7 - 8
100	32	101	400	460	1006	1017	73	287	592	792	1"1/4	1"1/2	1/2"
200	53	190	450	510	1407	1415	68	297	927	1177	1"1/4	1"1/2	1/2"
300	67	292	550	610	1518	1529	129	404	994	1244	1"1/4	2"	1/2"
500	101	501	650	710	1810	1821	121	441	1241	1491	1"1/4	3"	1/2"
800	147	788	750	810	2108	2119	108	458	1458	1758	1"1/4	3"	1/2"
1000	170	1034	850	930	2351	2178	96	479	1479	1779	1"1/2	3"	1/2"
1500	183	1432	950	1010	2351	2386	102	471	1681	1981	2"	3"	1/2"
2000	219	1970	1100	1170	2421	2437	102	506	1716	2016	2"	3"	1/2"