



HEATING / COOLING BUFFER TANKS



HEATING/COOLING
BUFFER TANKS

HEATING / COOLING BUFFER TANKS RANGE



Heating
Cooling

**VOLANO TERMICO
PDC - HANGING**

**VOLANO TERMICO
PDC**

**VOLANO TERMICO
GREZZO**

**VOLANO TERMICO
PDC REVERSO**

Insulation

Polyurethane hard foam

Polyurethane hard foam

Polyethylene
anti-condensation
+
Polyester fleece

Anti-condensation
insulation
+ Polyester fleece
+ aluminium cover

Material

Stainless
steel /
Mild steel



Mild steel



Mild steel



Mild steel



Working temperature
Working pressure

-10 / +95 °C
4 bar

-10 / +95 °C
4 bar

-10 / +90 °C
6 bar

-10 / +90 °C
4 bar

Application



**Energy efficiency
class**

B-C

B-C

C

N.A.

Installation

Indoor

Indoor

Indoor

Indoor/Outdoor

Available range

8 ÷ 100

100 ÷ 500

500 ÷ 5000

2500 ÷ 4000

Installation

wall hanging

floor standing

floor standing

floor standing
(flanged connections)

**Suggested
Application**















Domestic Heat Pumps
(heating/cooling)

Heat pumps
(heating/cooling)

Large chiller installations VRV
/ VRF

Heat pumps
(heating/cooling)



VOLANO TERMICO R/C GB	VOLANO TERMICO R/C - POLYWARM WB	CHILLED WATER GALVANIZED ZB	CHILLED WATER STAINLESS STEEL 304 XB	CHILLED WATER GC 20	CHILLED WATER GALVANIZED ZC 20
Polyurethane hard foam + painted metallic lining	Polyurethane hard foam + painted metallic lining	Polyurethane hard foam + painted metallic lining	Polyurethane hard foam + painted metallic lining	Polyethylene anti-condensation	Polyethylene anti-condensation
Mild steel 	Polywarm [®] coated 	Galvanized mild steel 	Stainless steel 	Mild steel 	Galvanized mild steel 
-10 / +90 °C 6 bar	-10 / +90 °C 6 bar	-10 / +60 °C 6 bar	-30 / +60 °C 6 bar	-10 / +90 °C 6 bar	-10 / +60 °C 6 bar
 Heating  Cooling	 Heating  Cooling	 Cooling	 Cooling	 Cooling	 Cooling
B-C	C	N.A.	N.A.	N.A.	N.A.
Indoor/Outdoor	Indoor/Outdoor	Indoor/Outdoor	Indoor/Outdoor	Indoor	Indoor
100 ÷ 2000	100 ÷ 1000	100 ÷ 2000	100 ÷ 1000	100 ÷ 5000	100 ÷ 5000
floor standing	floor standing	floor standing	floor standing	floor standing	floor standing
Heat pumps (heating/cooling)	Heat pumps (heating/cooling)	Chiller	- Chiller - Heat pumps (heating/cooling) - Industrial installations	Chiller installations VRV / VRF	Chiller installations VRV / VRF

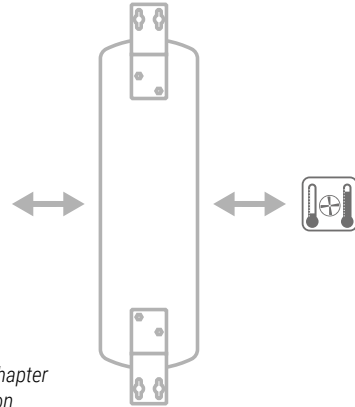
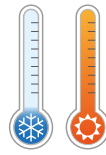
HEATING/COOLING BUFFER TANKS

VOLANO TERMICO PDC - HANGING

HANGING BUFFER TANK FOR HEAT PUMP



PRESSURE	TEMPERATURE
Pmax 4 bar	Tmax -10 / +95 °C



See TECHNICAL SUPPORT chapter for example of installation

TECHNICAL DESCRIPTION

Buffers either for hot or cold water have two main functions: they work both as hydraulic separator and buffer tank.

The hydraulic separator makes the heat pump flow rates and terminals flow rates unconnected. The buffer function reduces the heat pump on/off switchings.

Hanging energy buffer tanks are designed for wall installation.

MATERIAL

Mild steel.

EXTERNAL LINING

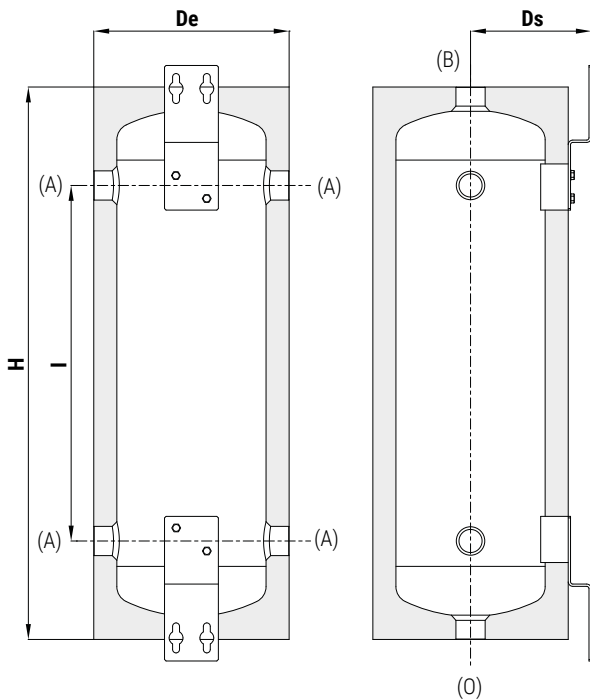
Grey PVC.

INSULATION

High thermal insulation with ecological polyurethane hard foam.

WARRANTY

2 years-See general sales conditions and warranty.



- A** To the System
- B** Safety Valve
- O** Drain



VOLANO TERMICO PDC (12 unit box)

Model	Mild steel 12 unit box	Art. Nr.	Price €
8		307016092000612	3.276,00
12		307016092000412	3.504,00



VOLANO TERMICO PDC

Model	Mild steel	Art. Nr.	Price €
12		3070160920004	315,00
25		3070160920001	360,00
50		3070160920003	417,00
80		3070160920018	467,00
100		3070160920019	494,00



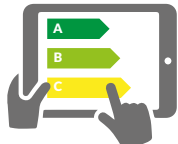
NEW

VOLANO TERMICO PDC INOX

Model	AISI 304 stainless steel	Art. Nr.	Price €
25		3001012310021	650,00
50		3001012310022	799,00



cordivari.com/erp



On line ErP label tool



CORDIVARI Lab

TÜV Rheinland Energie und Umwelt GmbH states that test procedures and Cordivari LAB are certified conforming to European standard EN 15332, as indicated by Ecodesign ErP Directive.



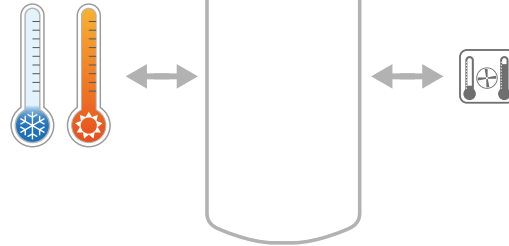
Model	Volume [lt]	Weight [Kg]	De	Ds	H	I	B-O	A
			[mm]			Connections F		
8	8,3	6,5	260	153	382	126	1"	1"
12	12,4	7,5	254	152	526	270	1"	1"
25	25	11	290	166	790	520	1"	1"1/4
50	51	16	343	192	1008	600	1"	1"1/4
80	81	18	450	252	745	400	1"1/4	1"1/4
100	95	24	450	252	870	525	1"1/4	1"1/4

VOLANO TERMICO PDC

BUFFER TANK FOR HEAT PUMP



PRESSURE	TEMPERATURE
Pmax	Tmax
4 bar	-10 / +95 °C



See TECHNICAL SUPPORT chapter for example of installation

TECHNICAL DESCRIPTION

Buffer either for hot or cold water provided by heat pump, in order to limit the generator on/off switchings.

MATERIAL

Mild steel.

EXTERNAL LINING

Grey PVC.

INSULATION

High thermal insulation with ecological polyurethane hard foam.

WARRANTY

2 years-See general sales conditions and warranty.



VOLANO TERMICO PDC

ENERGY EFFICIENCY CLASS

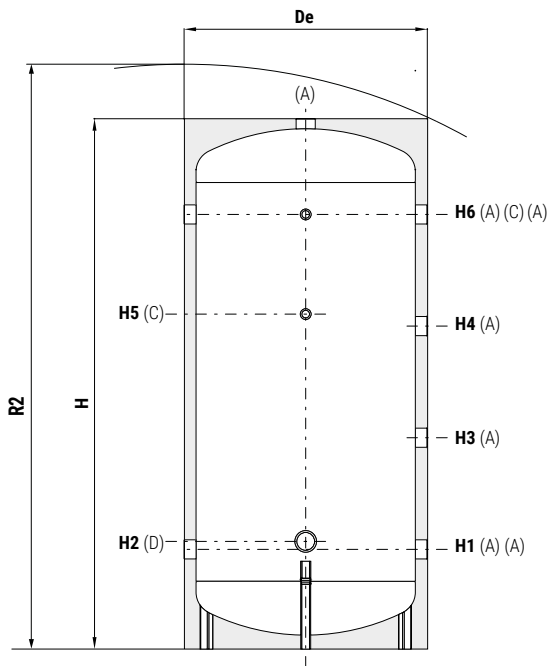
Model	Art. Nr.	Price €	ErP
MILD STEEL BUFFER TANK (suitable for heat pump)			
100	3001162311001	452,00	C
200	3001162311002	575,00	C
300	3001162311003	723,00	C
500	3001162311004	995,00	C

Model	Art. Nr.	Price €	ErP
12 unit box			
100	300116231100712	4.294,00	C

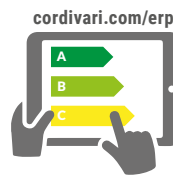
VOLANO TERMICO PDC (B class)

ENERGY EFFICIENCY CLASS

Model	Art. Nr.	Price €	ErP
MILD STEEL BUFFER TANK (suitable for heat pump)			
500	3001162311014	1.058,00	B



- A** To the System
- C** Connection for instrumentation 1/2" F
- D** Connection for electric immersion heater 1" 1/2 F



On line ErP label tool



CORDIVARI Lab

TÜV Rheinland Energie und Umwelt GmbH states that test procedures and Cordivari LAB are certified conforming to European standard EN 15332, as indicated by Ecodesign ErP Directive.



Model	Volume [lt]	Weight [Kg]	De	H	R2	H1 [mm]	H2	H3	H4	H5	H6	A
100	95	23	461	990	1100	206	246	374	543	511	711	1"
200	180	41	517	1289	1395	206	246	489	793	836	1086	1"
300	280	51	624	1346	1490	256	276	536	816	846	1096	1"1/4
500	478	76	725	1641	1800	271	291	634	998	1091	1361	1"1/4

Model	Volume [lt]	Weight [Kg]	De	H	R2	H1 [mm]	H2	H3	H4	H5	H6	A
500 (B)	478	76	750	1641	1810	271	291	634	998	1091	1361	1"1/4

HEATING/COOLING
BUFFER TANKS

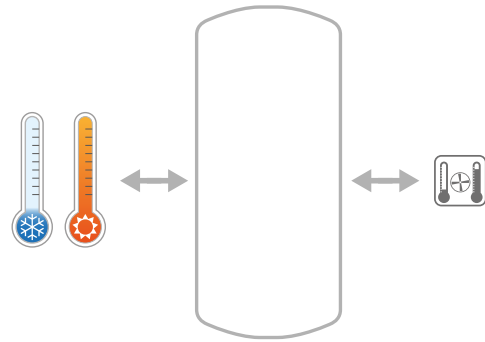
P.E.D. product designed and produced in conformity to the article 4.3 of directive 2014/68/UE - ErP Ecodesign directive 2009/125/CE

VOLANO TERMICO GREZZO GC VT

BUFFER TANK FOR HEATING AND COOLING SYSTEMS WITH INCREASED INSULATION



PRESSURE	TEMPERATURE
Pmax 6 bar	Tmax -10 / +90 °C



APPLICATION AND TECHNICAL DESCRIPTION

The buffer tanks VOLANO TERMICO GREZZO GC VT with increased insulation for reversible heating/cooling systems are intended for systems that work for the whole year, in which in Summer there is the need to accumulate chilled water and in Winter hot heating water.

These accumulators improve the efficiency of the system by limiting the number of hourly ignitions of the generator (whether chiller, heat pump or conventional generator) and, increasing the thermal inertia of the circuit, allowing to obtain more stable operating temperatures.

MATERIAL

Mild steel painted on the outside.

EXTERNAL LINING

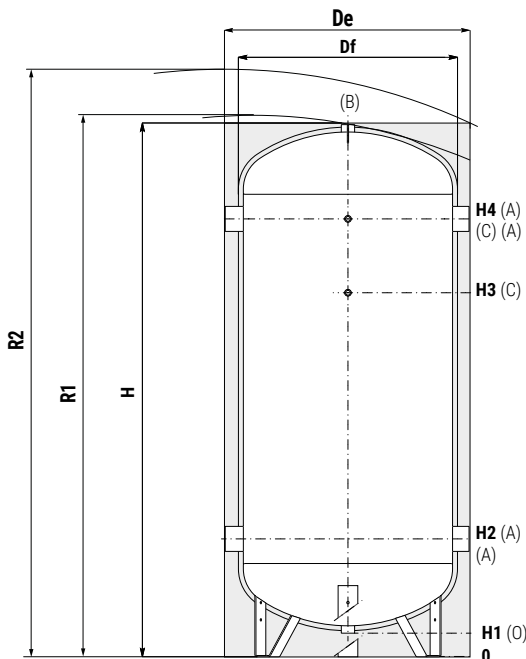
Grey PVC external lining with plastic black caps for connections.

INSULATION

Increased insulation: Internal insulation layer with closed cell polyethylene of 20 mm not self-extinguishing fixed to the tank body (not removable) coupled with an external layer of insulation of polyester fiber, thickness with high thermal insulation, material with fire resistance class B s2d0 in accordance with EN13501

WARRANTY

2 years-See general sales conditions and warranty.



VOLANO TERMICO GREZZO GC VT

ENERGY EFFICIENCY CLASS

Model	INSULATION 20 mm NOT SELF-EXTINGUISHING + Polyester fleece		ENERGY EFFICIENCY CLASS
	Art. Nr.	Price €	
500	3001162150004	1.095,00	C
800	3001162150005	1.620,00	C
1000	3001162150006	2.024,00	C
1500	3001162150007	2.596,00	C
2000	3001162150008	3.310,00	C
2500	3001162150009	3.730,00	
3000	3001162310510	4.380,00	
4000	3001162310511	6.122,00	
5000	3001162310512	7.814,00	

A	To the System
B	Safety Valve
C	Connection for instrumentation 1/2" F
O	Drain

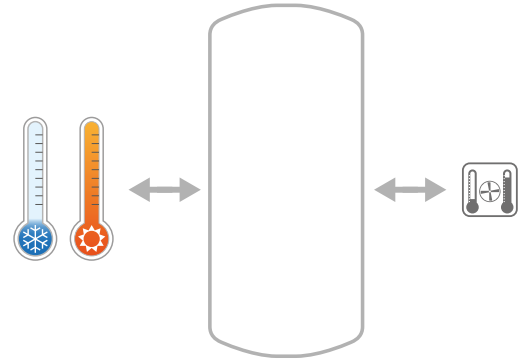
Model	Weight [Kg]	Volume [lt]	Df	De	H	R1	R2	H1	H2	H3	H4	B-O	A
500	101	501	690	910	1810	1821	2030	121	441	1241	1491	1"1/4	3"
800	147	788	790	1010	2108	2119	2340	108	458	1458	1758	1"1/4	3"
1000	170	1034	890	1110	2162	2178	2440	96	479	1479	1779	1"1/2	3"
1500	183	1432	990	1250	2351	2386	2670	121	490	1700	2000	2"	3"
2000	219	1970	1140	1400	2421	2437	2800	105	509	1719	2019	2"	3"
2500	274	2300	1290	1390	2289	2304	2680	149	619	1519	1819	2"	4"
3000	321	2908	1290	1390	2804	2826	3130	149	619	1919	2319	2"	4"
4000	442	3749	1440	1540	2878	2904	3270	133	648	1948	2348	2"	4"
5000	565	4964	1640	1740	2916	2948	3400	111	656	1956	2356	2"	4"

VOLANO TERMICO PDC REVERSO

BUFFER TANK FOR HEATING AND COOLING INSTALLATIONS



PRESSURE	TEMPERATURE
Pmax	Tmax
4 bar	-10 / +90 °C



TECHNICAL DESCRIPTION

VOLANO TERMICO PDC REVERSO is used in cooling systems to store cold water and also in heating systems to store hot water at high flow rate.

MATERIAL

Mild steel.

APPLICATION

Buffer either for hot or cold water.

ANTI-CORROSION TREATMENT

The anti-corrosion treatment is not necessary being installed in closed systems.

INSULATION

One layer of anti-condensation insulation plus a second layer of polyester fiber, all covered by an aluminium external cover (which can be dissembled to facilitate passage)

EXTERNAL LINING

Aluminium external cover.

CONNECTION FOR ELECTRIC IMMERSION HEATERS

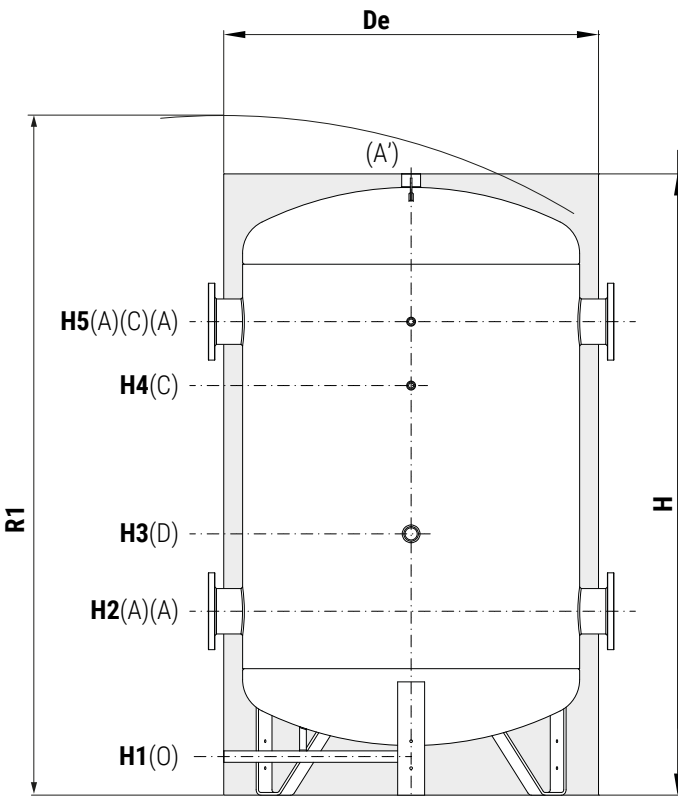
1 1/2" connection for low temperature electric immersion heater (thermostat from 0 to +50 °C) - see the table below.

WARRANTY

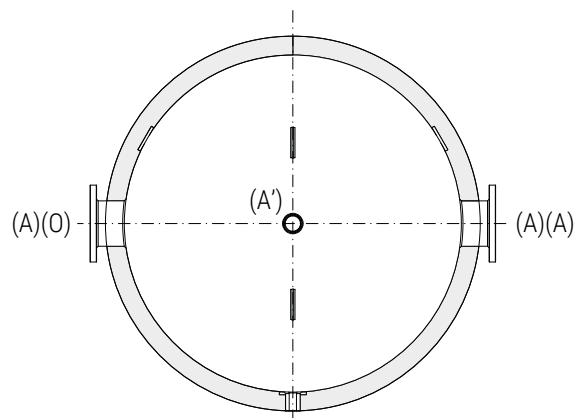
2 years-See general sales conditions and warranty.

VOLANO TERMICO PDC REVERSO

Model	HARD FOAM insulation	
	Art. Nr.	Price €
2500	3001162310559	5.585,00
3000	3001162310560	7.183,00
4000	3001162310561	8.649,00
5000	3001162310562	9.999,00



A	To the System
A'	To the System
C	Connection for instrumentation 1/2" F
D	Connection for electric immersion heater 1 1/2" F
O	Drain



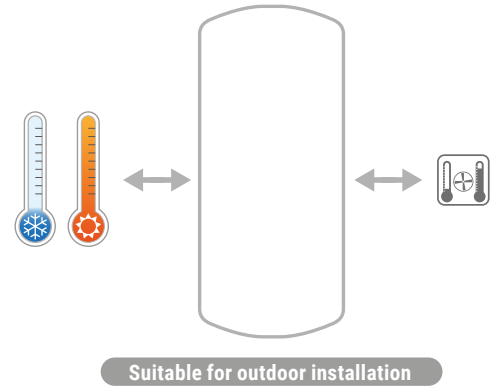
Model	Weight [Kg]	Volume [lt]	De	H	R1	H1	H2	H3	H4	H5	A'	Connections F		
												A	D	
2500	397	2294	1390	2304	2630	143	682	969	1519	1756	1"	DN150 PN16	2"	
3000	432	2988	1540	2378	2770	127	711	998	1448	1785	1"	DN150 PN16	2"	
4000	494	3914	1740	2386	2880	105	719	996	1426	1763	1"	DN150 PN16	2"	
5000	714	4970	1740	2950	3360	105	719	1166	1991	2293	1"	DN150 PN16	2"	

VOLANO TERMICO CALDO-FREDDO R/C GB VT

VERTICAL INERTIAL HOT/COLD WATER TANK



PRESSURE	TEMPERATURE
Pmax 6 bar	Tmax -10 / +90 °C



APPLICATION AND TECHNICAL DESCRIPTION

Storage of chilled or hot water for inverter installations. These buffers have a high thermal insulation and external lining with galvanized and painted metallic cover. The anti-corrosion treatment is not necessary being installed in closed systems. They are suited for installations that work with cold water during summer and hot water during winter. They also allow to limit the number of switch on/off of the generator (either heat pump, chilled system or standard Generator) increasing the thermic inertia of the system and to have more stable temperatures.

MATERIAL

Mild steel

EXTERNAL LINING

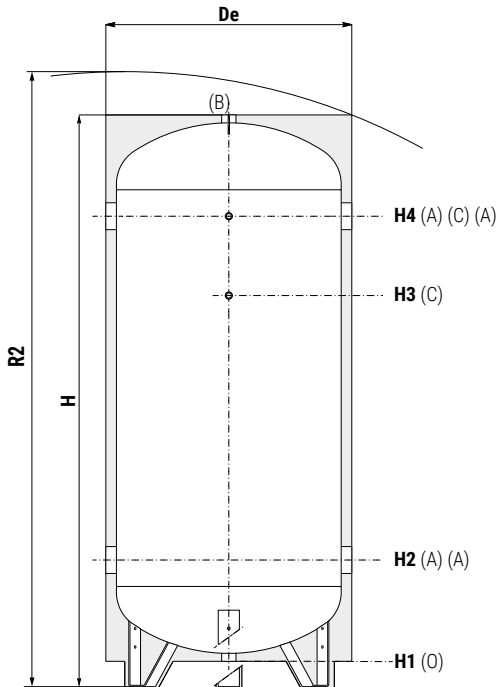
Galvanized and painted metallic cover.

INSULATION

High thermal insulation with ecological polyurethane hard foam.

WARRANTY

2 years-See general sales conditions and warranty.



- A** To the System
- B** Safety Valve
- C** Connection for instrumentation 1/2" F
- O** Drain



VOLANO TERMICO CALDO-FREDDO

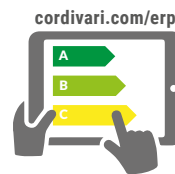
ENERGY EFFICIENCY CLASS

Model	Art. Nr.	Price €	ErP
100	3001162310501	481,00	C
200	3001162310502	618,00	C
300	3001162310503	859,00	C
500	3001162310524	1.221,00	C
800	3001162310529	1.655,00	C
1000	3001162310530	2.034,00	C
1500	3001162310527	2.993,00	C
2000	3001162310528	3.869,00	C

VOLANO TERMICO CALDO-FREDDO

ENERGY EFFICIENCY CLASS

Model	Art. Nr.	Price €	ErP
800	3001162310525	1.838,00	B
1000	3001162310526	2.316,00	B



On line ErP label tool



CORDIVARI Lab
TÜV Rheinland Energie und Umwelt GmbH states that test procedures and Cordivari LAB are certified conforming to European standard EN 15332, as indicated by Ecodesign ErP Directive.



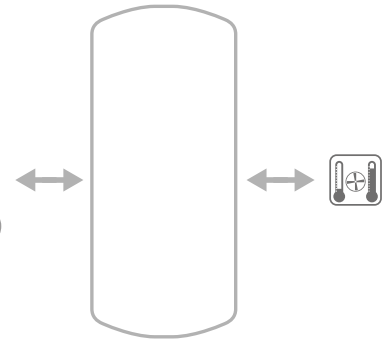
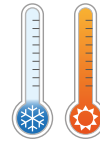
Model	Weight [Kg]	Volume [lt]	De	H	R2	H1	H2	H3	H4	B-O	Connections F	
100	32	101	460	1006	1115	73	287	592	792	1"1/4	1"1/2	1/2"
200	53	190	510	1407	1505	68	297	927	1177	1"1/4	1"1/2	1/2"
300	67	292	610	1518	1640	129	404	994	1244	1"1/4	2"	1/2"
500	101	501	750	1790	1945	80	400	1200	1450	1"1/4	3"	1/2"
800	147	788	850	2100	2270	80	430	1437	1730	1"1/4	3"	1/2"
1000	170	1034	950	2166	2370	80	463	1463	1763	1"1/2	3"	1/2"
1500	183	1432	1100	2366	2615	100	471	1681	1981	2"	3"	1/2"
2000	219	1970	1300	2436	2770	100	506	1716	2016	2"	3"	1/2"
800 (B)	147	788	900	2100	2290	80	430	1437	1730	1"1/4	3"	1/2"
1000 (B)	170	1034	1000	2166	2390	80	463	1463	1763	1"1/2	3"	1/2"

VOLANO TERMICO CALDO-FREDDO R/C - POLYWARM WB VT

POLYWARM® COATED VERTICAL INERTIAL HOT/COLD WATER TANK



PRESSURE	TEMPERATURE
Pmax	Tmax
6 bar	-10 / +90 °C



Suitable for outdoor installation

APPLICATION AND TECHNICAL DESCRIPTION

Storage of chilled or hot water for inverter installations. These buffers have a high thermal insulation and external lining with galvanized and painted metallic cover. Internal Polywarm® coated for clean systems installation. They are suited for installations that work with cold water during summer and hot water during winter. They also allow to limit the number of switch on/off of the generator (either heat pump, chilled system or standard Generator) increasing the thermic inertia of the system and to have more stable temperatures.

MATERIAL

Mild steel outside - Polywarm® coated inside

EXTERNAL LINING

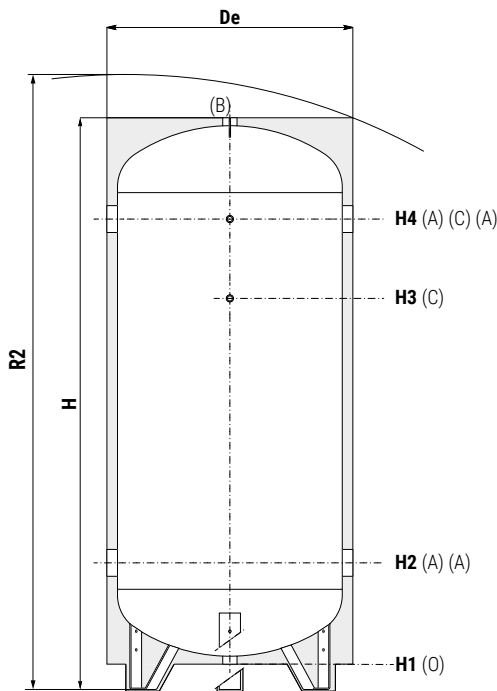
Galvanized and painted metallic cover.

INSULATION

High thermal insulation with ecological polyurethane hard foam.

WARRANTY

2 years-See general sales conditions and warranty.



- A** To the System
- B** Safety Valve
- C** Connection for instrumentation 1/2" F
- O** Drain



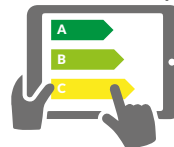
VOLANO TERMICO CALDO-FREDDO WB

ENERGY EFFICIENCY CLASS



Model	Art. Nr.	Price €	ErP
100	3001162330001	616,00	C
200	3001162330002	793,00	C
300	3001162330003	1.055,00	C
500	3001162330004	1.414,00	C
800	3001162330005	2.041,00	C
1000	3001162330006	2.445,00	C

cordivari.com/erp



On line ErP label tool



CORDIVARI Lab

TÜV Rheinland Energie und Umwelt GmbH states that test procedures and Cordivari LAB are certified conforming to European standard EN 15332, as indicated by Ecodesign ErP Directive.



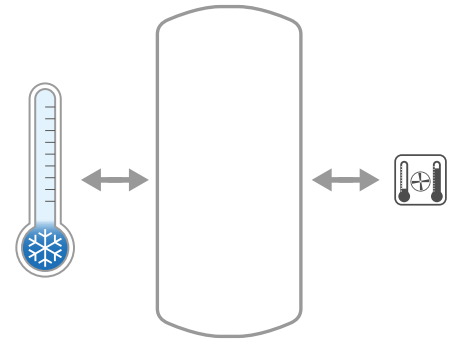
Model	Weight [Kg]	Volume [lit]	De	H	R2	H1	H2	H3	H4	B-O	Connections F	
100	32	101	460	1006	1115	73	287	592	792	1"1/4	1"1/2	1/2"
200	53	190	510	1407	1505	68	297	927	1177	1"1/4	1"1/2	1/2"
300	67	292	610	1518	1640	129	404	994	1244	1"1/4	2"	1/2"
500	101	501	750	1790	1945	80	400	1200	1450	1"1/4	3"	1/2"
800	147	788	900	2100	2290	80	430	1437	1730	1"1/4	3"	1/2"
1000	170	1034	1000	2166	2390	80	463	1463	1763	1"1/2	3"	1/2"

CHILLED WATER STORAGE TANK - GALVANIZED ZB

VERTICAL GALVANIZED CHILLED WATER TANK



PRESSURE	TEMPERATURE
Pmax	Tmax
6 bar	-10 / +60 °C



Suitable for outdoor installation

APPLICATION AND TECHNICAL DESCRIPTION

Storage of chilled water for cooling systems. These buffers have rigid insulation and external galvanized and painted metallic cover.

They are used to increase the thermal inertia and, for those installations with low water-capacity, avoiding that the chilling generator is continuously working.

EXTERNAL LINING

Galvanized and painted metallic cover.

MATERIAL

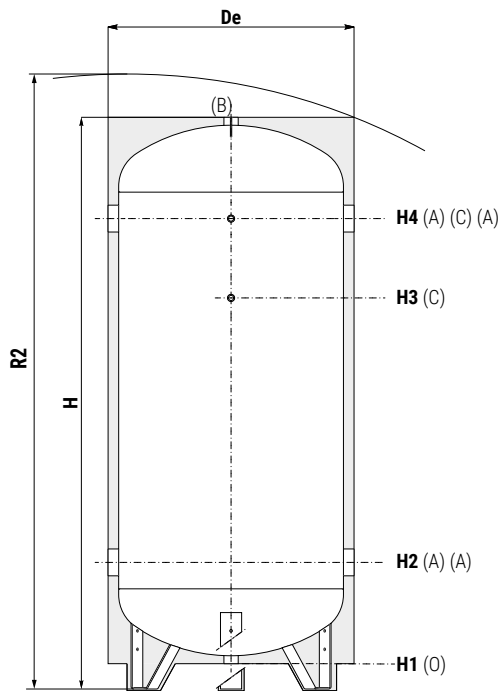
Galvanized mild steel

INSULATION

High thermal insulation with ecological polyurethane hard foam.

WARRANTY

2 years-See general sales conditions and warranty.



ACQ. REF. ZB VT

Model	Art. Nr.	Price €
100	3001162310001	526,00
200	3001162310002	689,00
300	3001162310003	945,00
500	3001162310004	1.266,00
800	3001162310005	1.892,00
1000	3001162310006	2.283,00
1500	3001162310007	3.281,00
2000	3001162310008	4.137,00

SUITABLE FOR OUTDOOR INSTALLATION

- A** To the System
- B** Safety Valve
- C** Connection for instrumentation 1/2" F
- O** Drain

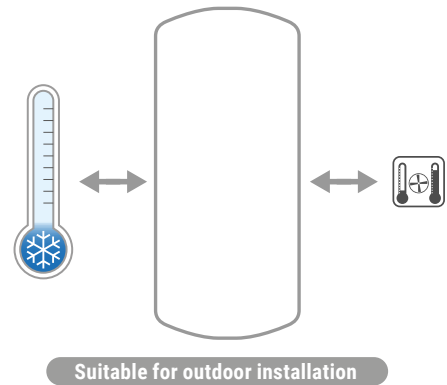
Model	Weight [Kg]	Volume [lit]	De	H	R2	H1	H2	H3	H4	B-O	A	C
100	32	101	460	1006	1115	73	287	592	792	1"1/4	1"1/2	1/2"
200	53	190	510	1407	1505	68	297	927	1177	1"1/4	1"1/2	1/2"
300	67	292	610	1518	1640	129	404	994	1244	1"1/4	2"	1/2"
500	101	501	750	1790	1945	80	400	1200	1450	1"1/4	3"	1/2"
800	147	788	900	2100	2290	80	430	1437	1730	1"1/4	3"	1/2"
1000	170	1034	1000	2166	2390	80	463	1463	1763	1"1/2	3"	1/2"
1500	183	1432	1100	2366	2615	100	471	1681	1981	2"	3"	1/2"
2000	219	1970	1300	2436	2770	100	506	1716	2016	2"	3"	1/2"

CHILLED WATER STORAGE TANK - STAINLESS STEEL 304 XB

VERTICAL STAINLESS STEEL 304 CHILLED WATER TANK



PRESSURE	TEMPERATURE
Pmax	Tmax
6 bar	-30 / +60 °C



TECHNICAL DESCRIPTION

The chilled water accumulation tanks are designed to be installed in air conditioning systems to increase inertia and in those with low water content, to minimize the number of hourly starts of the refrigeration unit to save its duration

MATERIAL

Stainless steel 304

EXTERNAL LINING

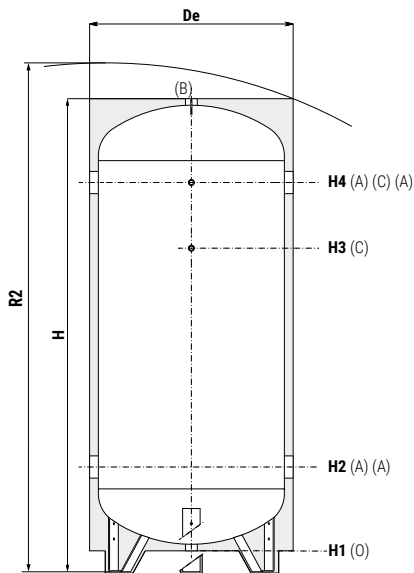
Galvanized and painted metallic cover.

INSULATION

High thermal insulation with ecological polyurethane hard foam.

WARRANTY

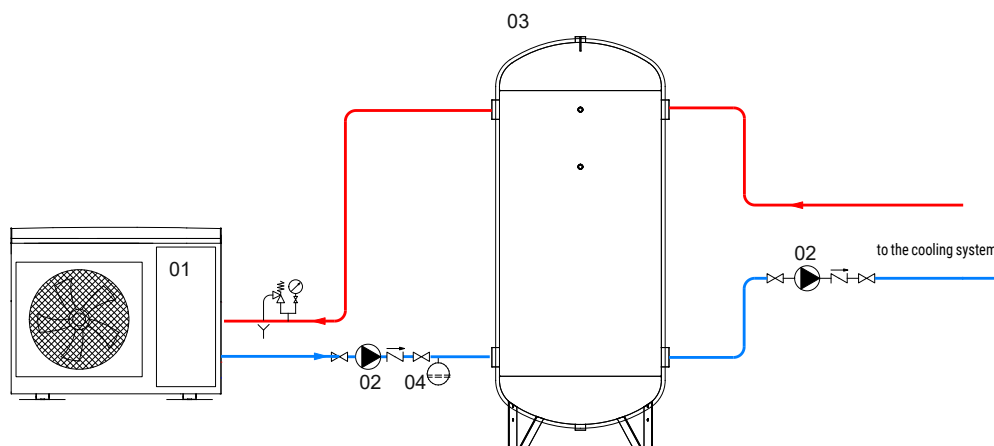
2 years-See general sales conditions and warranty.



Model	ACQ. REF. XB 20 VT	
	Art. Nr.	Price €
100	3001012310001	1.210,00
200	3001012310002	1.543,00
300	3001012310003	1.928,00
500	3001012310004	2.890,00
800	3001012310005	3.924,00
1000	3001012310006	4.860,00

- A** To the System
- B** Safety Valve
- C** Connection for instrumentation 1/2" F
- O** Drain

Model	Weight [Kg]	Volume [lt]	De	H	R2	H1	H2	H3	H4	B-O	A	C
100	27	100	460	1006	1115	85	296	601	801	1"1/4	1"1/2	1/2"
200	40	188	520	1407	1505	80	301	931	1181	1"1/4	1"1/2	1/2"
300	51	289	620	1515	1645	69	336	926	1176	1"1/4	2"	1/2"
500	87	495	720	1803	1950	58	370	1170	1420	1"1/4	3"	1/2"
800	121	788	830	2110	2275	116	458	1458	1758	1"1/4	3"	1/2"
1000	140	1036	930	2160	2360	102	480	1480	1780	1"1/2	3"	1/2"



- 01 Generator
- 02 Air conditioning system circulation group
- 03 Chilled water tank
- 04 Expansion vessel

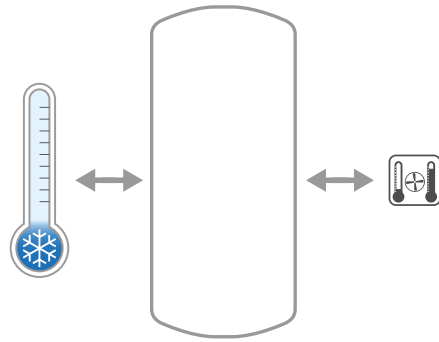
HEATING/COOLING BUFFER TANKS

CHILLED WATER STORAGE TANK GC 20 VT

VERTICAL NOT TREATED CHILLED WATER TANK



PRESSURE	TEMPERATURE
Pmax 6 bar	Tmax -10 / +90 °C



APPLICATION AND TECHNICAL DESCRIPTION

Storage of chilled water for cooling systems. Vertical inertial water tanks are used to increase the thermal inertia and, for those installations with a low water-capacity, to avoid that the chiller is continuously working.

MATERIAL

Mild steel outside painted

EXTERNAL LINING

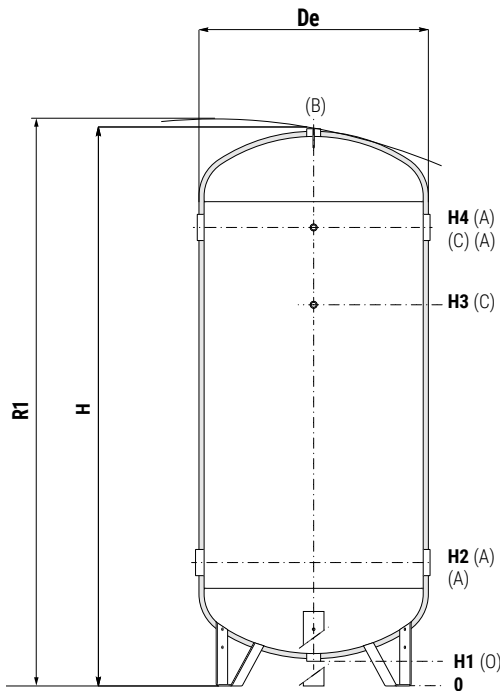
Blue PVC with plastic black caps for connections.

INSULATION

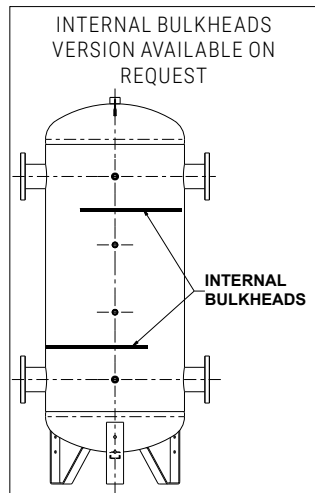
20 mm fixed polyethylene anti-condensation. Not self-extinguishing version. Not removable from the tank.

WARRANTY

2 years-See general sales conditions and warranty.



- A** To the System
- B** Safety Valve
- C** Connection for instrumentation 1/2" F
- O** Drain



ACQ. REF. GC 20 VT

(INSULATION 20 mm
Not self-extinguishing)

Model	Art. Nr.	Price €
100	3001162131101	420,00
200	3001162131102	516,00
300	3001162131103	702,00
500	3001162131104	952,00
800	3001162131105	1.466,00
1000	3001162131106	1.746,00
1500	3001162131107	2.300,00
2000	3001162131108	2.915,00
2500	3001162131113	3.485,00
3000	3001162131109	3.922,00
4000	3001162131110	5.614,00
5000	3001162131112	7.180,00

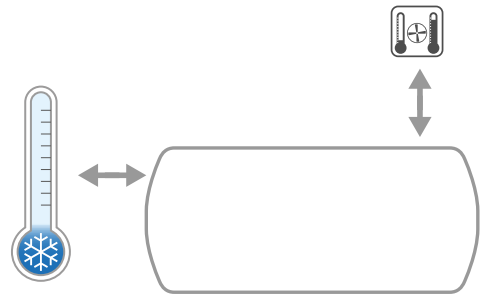
Model	Weight [Kg]	Volume [lt]	DE	H	R1	H1 [mm]	H2	H3	H4	B-O	Connections F		
											A	C	
100	32	101	440	1006	1017	73	287	592	792	1"1/4	1"1/2	1/2"	
200	53	190	490	1407	1415	68	297	927	1177	1"1/4	1"1/2	1/2"	
300	67	292	590	1518	1529	129	404	994	1244	1"1/4	2"	1/2"	
500	101	501	690	1810	1821	121	441	1241	1491	1"1/4	3"	1/2"	
800	147	788	790	2108	2119	108	458	1458	1758	1"1/4	3"	1/2"	
1000	170	1034	890	2162	2178	96	479	1479	1779	1"1/2	3"	1/2"	
1500	183	1432	990	2351	2386	121	490	1700	2000	2"	3"	1/2"	
2000	219	1970	1140	2421	2437	105	509	1719	2019	2"	3"	1/2"	
2500	274	2300	1290	2289	2304	149	619	1519	1819	2"	4"	1/2"	
3000	321	2908	1290	2804	2826	149	619	1919	2319	2"	4"	1/2"	
4000	442	3749	1440	2878	2904	133	648	1948	2348	2"	4"	1/2"	
5000	565	4964	1640	2916	2948	111	656	1956	2356	2"	4"	1/2"	

CHILLED WATER STORAGE TANK GC 20 HORIZONTAL

VERTICAL NOT TREATED CHILLED WATER TANK



PRESSURE	TEMPERATURE
Pmax	Tmax
6 bar	-10 / +90 °C



APPLICATION AND TECHNICAL DESCRIPTION

Storage of chilled water for cooling systems. Horizontal inertial water tanks are used to increase the thermal inertia and, for those installations with a low water-capacity, to avoid that the chiller is continuously working.

MATERIAL

Mild steel outside painted

EXTERNAL LINING

Blue PVC with plastic black caps for connections.

INSULATION

20 mm fixed polyethylene anti-condensation. Not self-extinguishing version. Not removable from the tank.

WARRANTY

2 years-See general sales conditions and warranty.

ACQ. REF. GC 20 OR

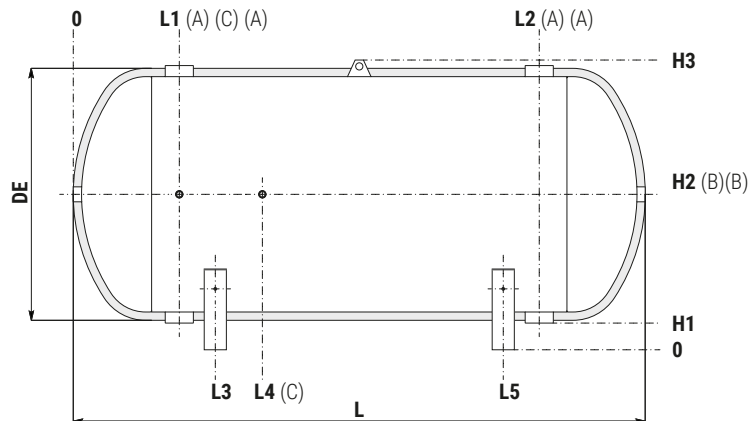
(INSULATION 20 mm
Not self-extinguishing)

Model	Art. Nr.	Price €
100	3001161031001	463,00
200	3001161031002	568,00
300	3001161031003	738,00
500	3001161031004	1.004,00
800	3001161031005	1.547,00
1000	3001161031006	1.816,00
1500	3001161031007	2.415,00
2000	3001161031008	3.034,00
2500	3001161031013	3.627,00
3000	3001161031009	4.119,00
4000	3001161031010	5.895,00
5000	3001161031012	7.405,00

A To the System

B Safety Valve/Additional connection

C Connection for instrumentation 1/2" F



Model	Weight [Kg]	Volume [lt]	DE	L	L1	L2	[mm]			H1	H2	H3	Connections F		
							L3	L4	L5				B	A	C
100	32	99	440	934	215	720	290	415	645	63	293	523	1"1/4	1"1/2	1/2"
200	53	187	490	1339	230	1110	335	480	1005	61	316	571	1"1/4	1"1/2	1/2"
300	68	288	590	1389	275	1115	365	525	1025	115	425	760	1"1/4	2"	1/2"
500	102	496	690	1689	320	1370	415	570	1275	107	472	857	1"1/4	3"	1/2"
800	148	788	790	2000	350	1650	480	650	1520	101	516	951	1"1/4	3"	1/2"
1000	170	1034	890	2066	383	1683	513	683	1553	96	561	1046	1"1/2	3"	1/2"
1500	184	1432	990	2250	370	1880	505	670	1745	82	597	1142	2"	3"	1/2"
2000	220	1970	1140	2320	405	1915	525	705	1795	73	663	1283	2"	3"	1/2"
2500	284	2300	1290	2140	470	1670	620	770	1520	154	829	1524	2"	4"	1/2"
3000	330	2908	1290	2640	470	2170	620	870	2020	154	829	1524	2"	4"	1/2"
4000	452	3749	1440	2730	515	2215	665	915	2065	142	892	1662	2"	4"	1/2"
5000	574	4964	1640	2790	545	2245	695	945	2095	125	975	1845	2"	4"	1/2"

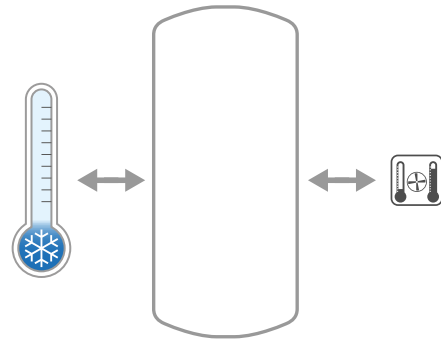
HEATING/COOLING
BUFFER TANKS

CHILLED WATER STORAGE TANK GALVANIZED ZC 20 VT

VERTICAL GALVANIZED CHILLED WATER TANK



PRESSURE	TEMPERATURE
Pmax 6 bar	Tmax -10 / +60 °C



APPLICATION AND TECHNICAL DESCRIPTION

Storage of chilled water for cooling systems. Vertical inertial water tanks are used to increase the thermal inertia and, for those installations with a low water-capacity, to avoid that the chiller is continuously working. These tanks are made in galvanized mild steel.

EXTERNAL LINING

Blue PVC with plastic black caps for connections.

MATERIAL

These tanks are galvanized inside and outside, with immersion in a pool of fused zinc with pureness not below 99,99% (Uni EN 1179).

INSULATION

20 mm fixed polyethylene anti-condensation. Not self-extinguishing version. Not removable from the tank.

WARRANTY

2 years-See general sales conditions and warranty.

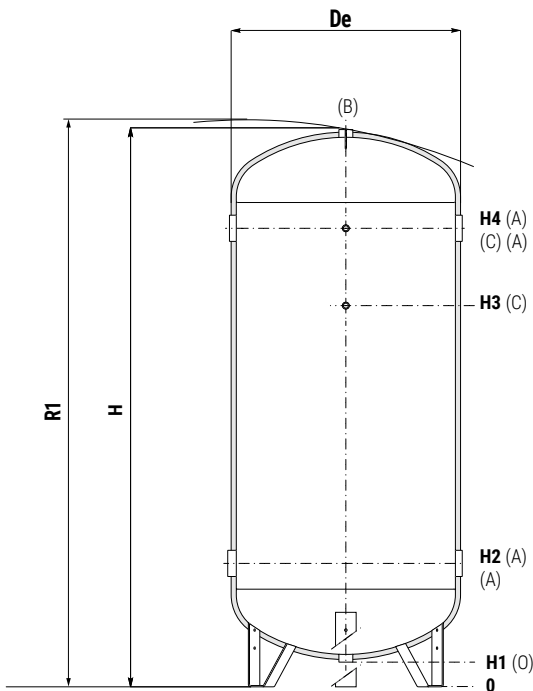


ACQ. REF. ZC 20 VT

(INSULATION 20 mm
Not self-extinguishing)

Model	Art. Nr.		Price €
	Art. Nr.	Price €	
100	3001162130001	446,00	
200	3001162130002	552,00	
300	3001162130003	765,00	
500	3001162130004	1.044,00	
800	3001162130005	1.618,00	
1000	3001162130006	1.955,00	
1500	3001162130107	2.782,00	
2000	3001162130108	3.459,00	
2500	3001162130113	4.737,00	
3000	3001162130109	4.846,00	
4000	3001162130110	7.412,00	
5000	3001162130112	8.959,00	

- A** To the System
- B** Safety Valve
- C** Connection for instrumentation 1/2" F
- O** Drain



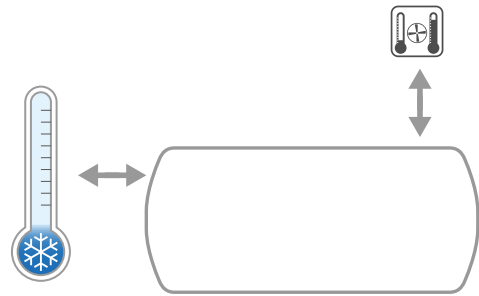
Model	Weight	Volume	DE	H	R1	H1	H2	H3	H4	B-O	A	C
	[Kg]	[lt]										
100	32	101	440	1006	1017	73	287	592	792	1"1/4	1"1/2	1/2"
200	53	190	490	1407	1415	68	297	927	1177	1"1/4	1"1/2	1/2"
300	67	292	590	1518	1529	129	404	994	1244	1"1/4	2"	1/2"
500	101	501	690	1810	1821	121	441	1241	1491	1"1/4	3"	1/2"
800	147	788	790	2108	2119	108	458	1458	1758	1"1/4	3"	1/2"
1000	170	1034	890	2162	2178	96	479	1479	1779	1"1/2	3"	1/2"
1500	183	1432	990	2351	2386	121	490	1700	2000	2"	3"	1/2"
2000	219	1970	1140	2421	2437	105	509	1719	2019	2"	3"	1/2"
2500	274	2300	1290	2289	2304	149	619	1519	1819	2"	4"	1/2"
3000	321	2908	1290	2804	2826	149	619	1919	2319	2"	4"	1/2"
4000	442	3749	1440	2878	2904	133	648	1948	2348	2"	4"	1/2"
5000	565	4964	1640	2916	2948	111	656	1956	2356	2"	4"	1/2"

CHILLED WATER STORAGE TANK GALVANIZED ZC 20 HORIZONTAL

HORIZONTAL GALVANIZED CHILLED WATER TANK



PRESSURE	TEMPERATURE
Pmax 6 bar	Tmax -10 / +60 °C



APPLICATION AND TECHNICAL DESCRIPTION

Storage of chilled water for cooling systems. Horizontal inertial water tanks are used to increase the thermal inertia and, for those installations with a low water-capacity, to avoid that the chiller is continuously working. These tanks are made in galvanized mild steel.

EXTERNAL LINING

Blue PVC with plastic black caps for connections.

MATERIAL

Galvanized mild steel

INSULATION

20 mm fixed polyethylene anti-condensation. Not self-extinguishing version. Not removable from the tank.

WARRANTY

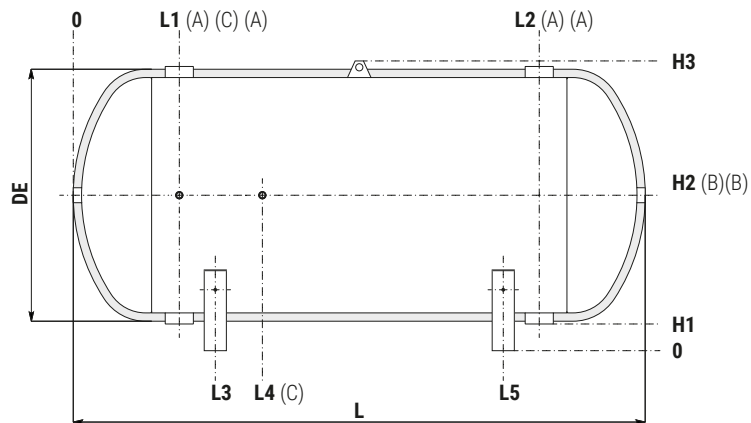
2 years-See general sales conditions and warranty.

ACQ. REF. ZC 20 OR

(INSULATION 20 mm
Not self-extinguishing)

Model	Art. Nr.	Price €
100	3001161030001	486,00
200	3001161030002	596,00
300	3001161030003	826,00
500	3001161030004	1.128,00
800	3001161030005	1.747,00
1000	3001161030006	2.110,00
1500	3001161030107	3.001,00
2000	3001161030108	3.735,00
2500	3001161030113	4.983,00
3000	3001161030109	5.179,00
4000	3001161030110	7.920,00
5000	3001161030112	9.574,00

- A** To the System
- B** Safety Valve/Additional connection
- C** Connection for instrumentation 1/2" F



Model	Weight	Volume	DE	L	L1	L2	L3	L4	L5	H1	H2	H3	B	A	C
	[Kg]	[lit]													
100	32	99	440	934	215	720	290	415	645	63	293	523	1"1/4	1"1/2	1/2"
200	53	187	490	1339	230	1110	335	480	1005	61	316	571	1"1/4	1"1/2	1/2"
300	68	288	590	1389	275	1115	365	525	1025	115	425	760	1"1/4	2"	1/2"
500	102	496	690	1689	320	1370	415	570	1275	107	472	857	1"1/4	3"	1/2"
800	148	788	790	2000	350	1650	480	650	1520	101	516	951	1"1/4	3"	1/2"
1000	170	1034	890	2066	383	1683	513	683	1553	96	561	1046	1"1/2	3"	1/2"
1500	184	1432	990	2250	370	1880	505	670	1745	82	597	1142	2"	3"	1/2"
2000	220	1970	1140	2320	405	1915	525	705	1795	73	663	1283	2"	3"	1/2"
2500	284	2300	1290	2140	470	1670	620	770	1520	154	829	1524	2"	4"	1/2"
3000	330	2908	1290	2640	470	2170	620	870	2020	154	829	1524	2"	4"	1/2"
4000	452	3749	1440	2730	515	2215	665	915	2065	142	892	1662	2"	4"	1/2"
5000	574	4964	1640	2790	545	2245	695	945	2095	125	975	1845	2"	4"	1/2"

HEATING/COOLING
BUFFER TANKS